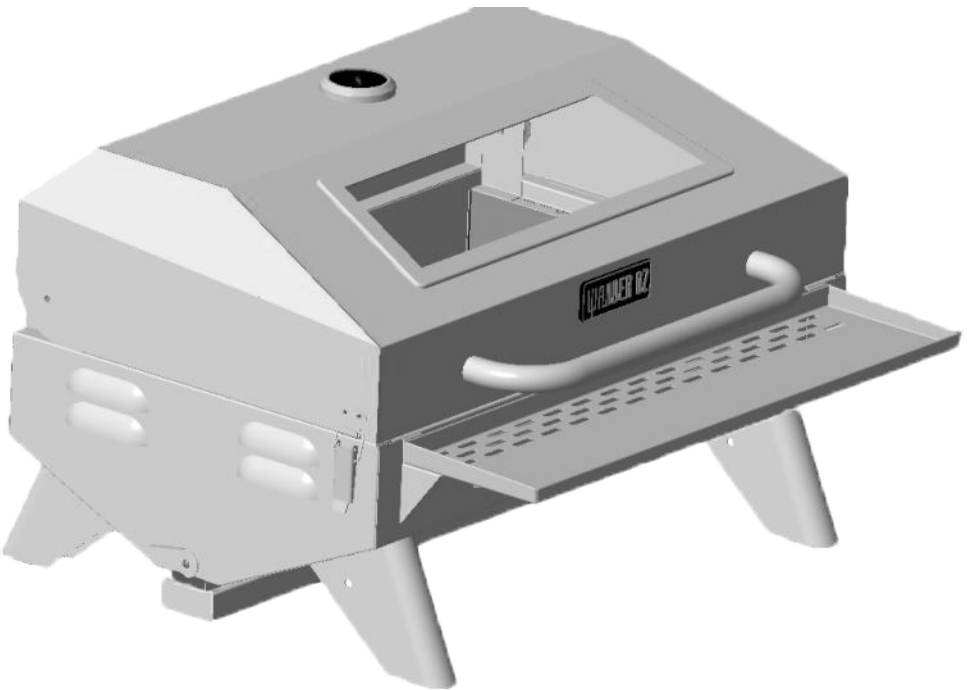




ASSEMBLY & OPERATION INSTRUCTIONS FOR OUTDOOR 316 MARINE GAS BARBECUE



FOR MODEL# MENCA060 316 MARINE BBQ GRILL

SAFETY INSTRUCTIONS

READ THE FOLLOWING INSTRUCTIONS CAREFULLY AND BE SURE YOUR BARBECUE IS PROPERLY ASSEMBLED, INSTALLED AND MAINTAINED. FAILURE TO FOLLOW THESE INSTRUCTIONS MAY RESULT IN SERIOUS INJURIES AND/OR PROPERTY DAMAGE.

THESE INSTRUCTIONS SHOULD BE KEPT BY THE BARBECUE USER FOR FUTURE REFERENCE.

IF YOU SMELL GAS!

1. Shut off gas to the barbecue.
2. Extinguish any open flame.
3. Open the lid.
4. If odour continues, keep away from the barbecue and immediately call your gas supplier or the fire department.

FOR YOUR SAFETY

- Do not store or use flammable vapours or liquids in the vicinity of this barbecue or any other appliance, including empty or spare gas cylinders.
- Keep the fuel hose and any electrical cords away from hot surface. Protect hose from dripping grease. Avoid unnecessary twisting of hose. Visually inspect hose for cuts, cracks, excessive wear or other damages, prior to each use. Replace hose if necessary.
- When cooking with oil/grease, do not allow the oil/grease to exceed 175 °C (350 °F). Do not store or use extra cooking oil in the vicinity of this barbecue or any other appliance.
- Never test for gas leaks with a lit match or open flame. Never light the barbecue with the lid closed.
- Never lean over cooking surface while lighting the barbecue or while cooking. Use specialised barbecue tools with insulated oven mitts when operating the barbecue.
- Ensure heat is on LOW if cooking with lid closed. Don't leave unsupervised.

SAFETY INSTRUCTIONS

The parts that make up the fuel system are designed for operation with the MENCA060 only. They must not be replaced with any other brand. (See parts list for replacement items.) **DO NOT MODIFY THIS APPLIANCE.**

Ensure appliance has been installed properly. If any faults are detected please contact a qualified maintenance operator for service before attempting to use the barbecue again.

- DO NOT SPRAY AEROSOLS IN THE VICINITY OF THIS APPLIANCE WHILE IT IS IN OPERATION.
- DO NOT USE OR STORE FLAMMABLE MATERIALS IN OR NEAR THIS APPLIANCE.
- DO NOT PLACE ARTICLES ON OR AGAINST THIS APPLIANCE.

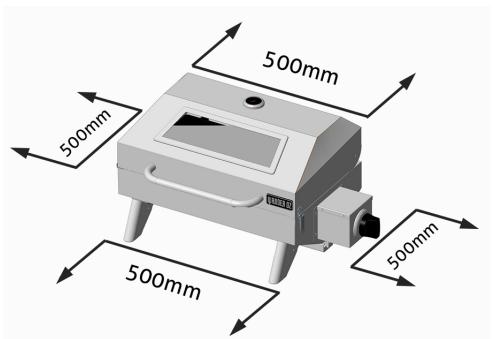
PLACEMENT OF YOUR BARBECUE

Do not use this BBQ indoors, or in garages, porches, breezeways, sheds or other enclosed areas. Your barbecue is to be used outdoors only and at least 500 mm (50 cm) from the back and side of any combustible surface. The barbecue should not be placed under any surface that could burn. Do not obstruct the flow of combustion and ventilation around the barbecue's housing.

This barbecue shall only be used in above ground open-air situations with natural ventilation, without stagnant areas, where possible gas leakage and products of the combustion can be rapidly dispersed by wind and natural convention.

Any enclosure in which the barbecue is used shall comply with one of the following:

- An enclosure with walls on all sides but at least one permanent opening at ground level and no overhead cover/ceiling (e.g courtyard). (see figure 1 in appendix)
- Within a partial enclosure that includes an overhead cover but no more than two walls. (see figure 2 and 3)



For a partial enclosure that includes an overhead cover and more than two walls, the following shall apply:

- At least 25% total surrounding is completely open and at least 30% of remaining wall area is open and unrestricted. (see figure 4 and 5)
- In the case of balconies, at least 20% of the total side, back and front wall areas shall be and remain open and unrestricted.

APPENDIX

The following figures are diagrammatical representations of outdoor areas. These are examples only but the same principles apply to any other shaped area.

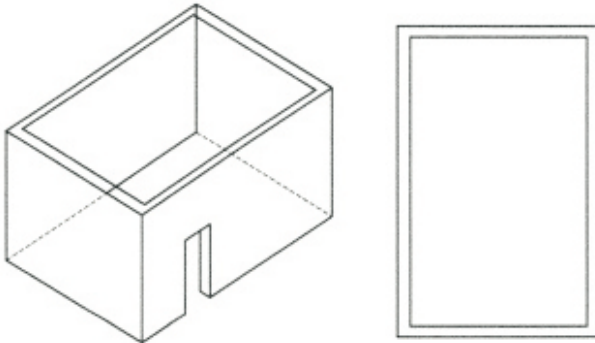


FIGURE F1 OUTDOOR AREA-EXAMPLE 1

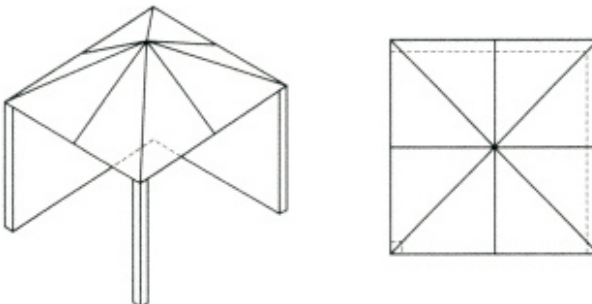


FIGURE F2 OUTDOOR AREA-EXAMPLE 2

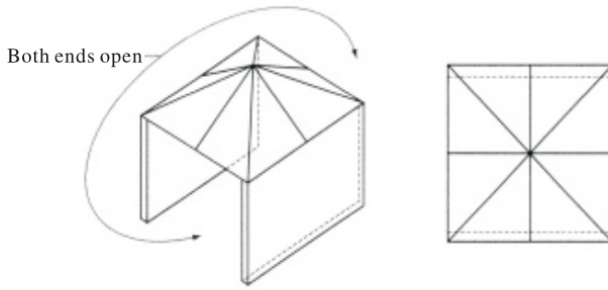


FIGURE F3 OUTDOOR AREA-EXAMPLE 3

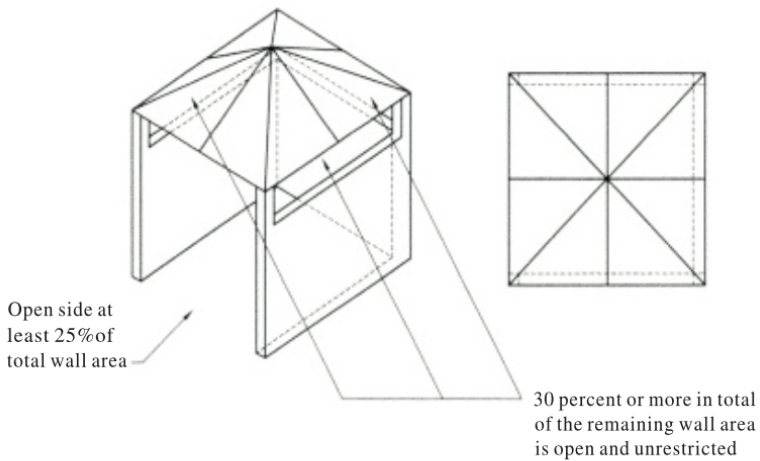


FIGURE F4 OUTDOOR AREA-EXAMPLE 4

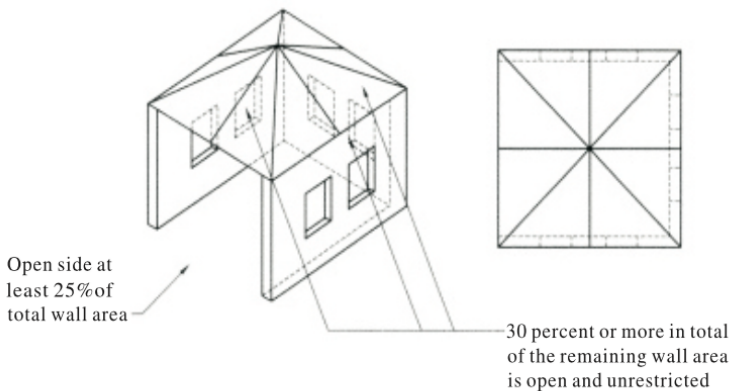


FIGURE F5 OUTDOOR AREA-EXAMPLE 5

SAFETY INSTRUCTIONS

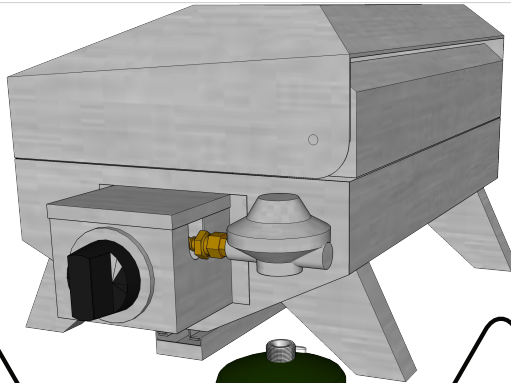
INSTALLATION OF COOKING PLATE

The cooking plate must be installed in the correct orientation, with the grill section located on the right-hand side where the burner ports are well protected. Incorrect installation may lead to a hazardous situation.

ALTERNATIVE GAS CONNECTION

Included with your BBQ is a Propane regulator connection for use with small 16oz bottles. This can be attached in place of the LPG hose connection. Always carry out a leak test after changing the regulator connection.

Note: Connect Propane Regulator to the BBQ before connecting the gas bottle. Ensure BBQ control knob is in the OFF position.



DO
NOT
ever allow
children near
the BBQ during
and after cooking.
BBQ surfaces can get
very hot during cooking.

WARNING!

HOT
SURFACES.
Wait for BBQ to
completely cool
down before cleaning,
handling, or storing away.

WARNING!

SAFETY INSTRUCTIONS

WHAT IS LPG?

LPG is gas fuel compressed until it turns into a liquid, then stored in a bottle or cylinder under pressure for easy transport.

LPG is a mix of butane and propane. In Australia this mixture is usually quite consistent, but in other countries such as New Zealand the mixture can vary a lot more. This WANDER OZ barbecue has been tested and approved for Australia only.

CONNECTING GAS CYLINDER

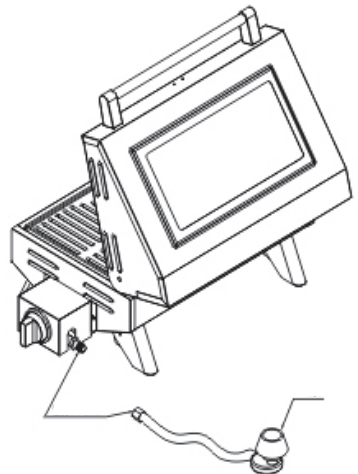
This BBQ has been designed for use with a 9kg LPG bottle. It comes with a hose and regulator which reduces the gas pressure from the LPG cylinder.

The data plate on the barbecue indicates the correct pressure “Burner pressure: 2.75 kPa.”

Warning: DO NOT USE AN ADAPTOR AT THE CYLINDER CONNECTION.

Follow these instructions carefully when connecting the gas cylinder:

- Before connecting, inspect the hose, its fittings and rubber seals. If there are any signs of cracking, splitting or excessive wear, replace the hose.
- Make sure the hose connection at the appliance is tightened firmly with a spanner.
- Once the hose is connected, conduct this leak test: Turn the gas on at the cylinder, but don't turn on the BBQ. If there is a leak, bubbles should appear, or you will be able to smell gas. (Do not attempt to use the BBQ if a leak is found. Replace the hose, or have it tested by a qualified gas technician.)
- While in use, keep the hose unobstructed and free of kinks.



Thread size: 1.312-5AMCE-2G-RH-INT

SAFETY INSTRUCTIONS

Failure to follow these instructions may result in an explosion of fire that may cause property damage, serious injury or death.

BEFORE USING BARBECUE

- Remove any protective packaging used during transit.
- Make sure the LPG cylinder valve is in its full OFF position.
- Make sure the barbecue control knob is in the OFF position.
- Inspect valve connection port and regulator assembly for damage or debris. Remove any debris. Inspect hose for damage or excessive wear.
- Connect regulator assembly to the LPG cylinder.
- Keep hose away from any source of heat.
- Open LPG cylinder valve fully. Use a soapy water solution to check all connections for leaks before attempting to light the burner. If a leak is found, turn off the gas cylinder and do not use the barbecue until repaired by a qualified gas technician.

Do not attempt repairs yourself.

Note: This barbecue must only be used with a gas cylinder that is equipped with an overfilling prevention device (O.P.D.)

FIRST TIME USE (AFTER PURCHASE)

It is important that the barbecue is lit and allowed to operate for at least 30 minutes before any food is placed on it. Some smoke may appear during this time which is normal. This will help rid the barbecue of preservatives and oils used during the manufacturing process. After this initial burn off period, spray the cooking surfaces with cooking oil to prevent food from sticking.

LIGHTING YOUR BARBECUE

- Ensure control knob is in the OFF position and the barbecue lid is open.
- Turn the LPG cylinder ON.

- Push in the BBQ control knob and keep pressing whilst turning counter clockwise to the HI position. This should ignite the burner. Keep the control knob pressed in for a further 10 seconds while the burner warms up.
- If the burner goes out after releasing the control knob, wait a few minutes for the gas build up to clear, then repeat previous step.
- Adjust the heat to your desired level by turning to the HI or LOW positions.

MANUAL IGNITION

Insert a 100mm lit match into the ignition hole located at the end of the BBQ. Only turn the control knob ON after the lit match is in position. If unsuccessful, wait 1 minute before trying again to allow any accumulated gas to disperse.

TURNING OFF YOUR BARBECUE

- First turn off the LPG cylinder and allow for the gas in the hose to burn out.
- Then turn the barbecue off by pressing in the control knob from the HI position and turning it clockwise to the OFF position.

CARE AND MAINTENANCE

There is very little care and maintenance required for this barbecue. However following these simple instructions will improve the longevity and quality of your barbecue.

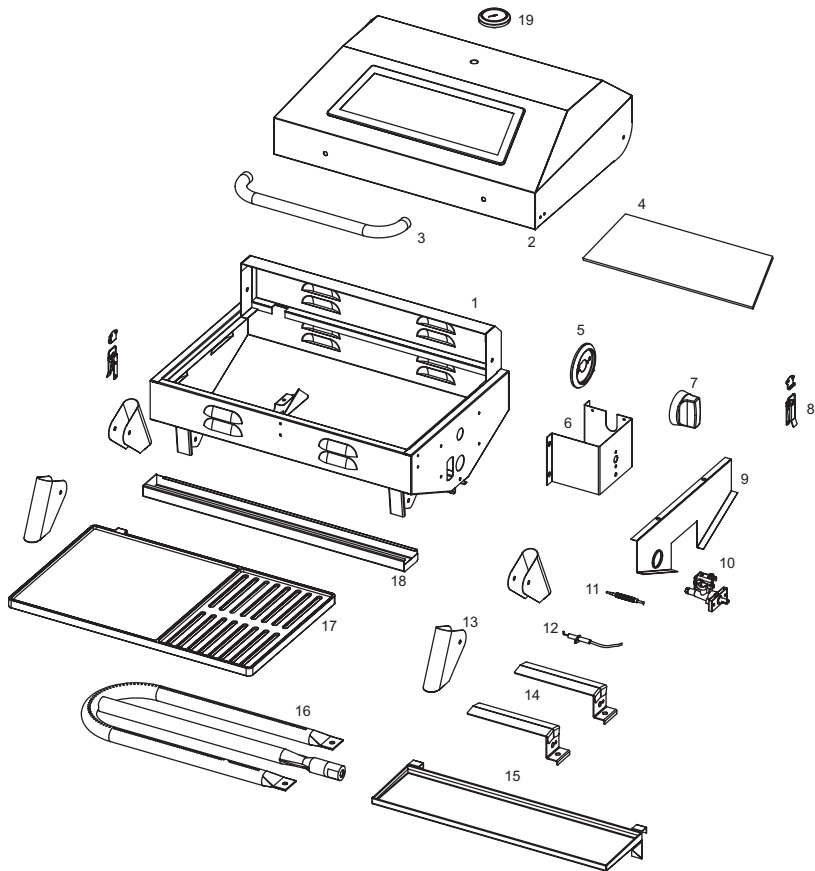
- Most parts on this 316 Marine BBQ Grill are made of 316 stainless steel (see parts list). They can be cleaned easily with warm soapy water, or stainless steel cleaner.
- The drip pan is the same as the outer body and can be cleaned with warm soapy water and a scraper. The drip pan must be kept clean and free of heavy build-ups for the barbecue to function properly and to eliminate flare-ups.
- Use warm soapy water to clean the inside of the barbecue. Do not allow grease to build up. Ensure glass top has cooled down before cleaning.
- The drain channel must be kept clear of grease and food particles to allow grease to drain properly.
- Keep barbecue out of the weather when not in use.

- Allow the barbecue to cool down for at least 30 minutes before moving or packing away. Surface temperatures can get very hot. Use oven mitts to open and close the lid and don't touch any part of the BBQ with your skin.
- Keep children away from the BBQ while in use, and for at least 30 minutes afterwards. Gas cylinders must be stored out of reach of children.

PARTS BREAKDOWN

REF#	DESCRIPTION	QTY	MATERIAL
1	Body Assembly	1 SET	SUS 316
2	Lid Assembly	1 SET	SUS 316
3	Lid Handle	1 PC	SUS 316
4	Glass Window	1 PC	GLASS
5	Knob Base	1 PC	SUS 316
6	Control Box Inclosure	1 PC	SUS 316
7	Knob	1 PC	PLASTIC
8	Latch	2 PCS	SUS 201
9	Thermal Insulation Board	1 PC	SUS 316
10	Valve	1 PC	
11	Thermocouple	1 PC	
12	Ignition Wire	1 PC	
13	Legs	1 SET	SUS 316
14	Drip Guard Assembly	2 PCS	
15	Shelf Assembly	1 PC	SUS 316
16	Burner	1 PC	SUS 201
17	Cooking Plate	1 PC	CAST IRON
18	Grease Pan	1 PC	SUS 316
19	Thermometer	1 PC	
20	Regulator Hose	1 PC	
21	Propane Regulator / Adaptor	1 PC	

ILLUSTRATED PARTS



Make	WANDER OZ
Model Name	316 Marine BBQ Grill
Item #	MENCA060
Gas Type	LPG
Burner Pressure	2.75 kPa
Gas Input Rate	13.5 MJ/h
Orifice Size	1.05 mm
Importer	Menace Marine Pty. Ltd.
Certificate No	GMK10674

TROUBLE SHOOTING

Spider and Insect warning: Spiders and insects can nest in burners and cause the gas flow to be irregular. This can be very dangerous and could cause an unexpected fire hazard to occur.

You should inspect the burners at least once a year or immediately after any of the following situations:

- The smell of gas in conjunction with the burner flames appearing yellow.
- The cooking plate does not reach full temperature.
- The cooking plate heats unevenly.
- The burners make popping noises.

If the barbecue doesn't function properly, use the following checklist to trouble shoot possible issues before contacting your dealer for service.

Burner goes out when control knob released.		Hold in the control knob for 6-10 seconds when lighting to allow the automatic gas shut-off sensor time to warm up.
Grill won't light when the control knob is pressed and turned.		Make sure the LPG cylinder is turned ON.
		Check burner ports for any blockage. Use soft wire brush to clear plugged ports.
		Check the gas orifice (opening) on the burner for possible obstruction. If orifice is blocked, clean it with a needle or thin wire. (never use a wooden pick).
Low heat with knob on HI		Check fuel hose is not bent or kinked.
		Check barbecue for dust or grime.
		Is there adequate gas supply available?
		Is the gas supply pressure low? (gas cylinders lose pressure as they empty).
		Is the barbecue being pre-heated for 15 minutes?

For service or replacement parts, contact your local stockist:

Web: www.wanderoz.com.au

Email: sales@wanderoz.com.au

Postal: P.O Box 270, Tullamarine VIC 3043

BBQ ACCESSORIES



BBQ Cover

This cover is designed to fit all three models of the WANDER OZ Portable Gas BBQ.

This cover helps to protect your BBQ from the weather. It has a pull cord around the opening for tightening the cover around the BBQ.



BBQ Carry Bag

This bag is designed to fit all three models of the WANDER OZ Portable Gas BBQ.

Durable material with carry handles.

The zip goes over the top and both sides for easy access to your BBQ.







Rod Holder BBQ Rack

This BBQ Rack is designed for this 316 WANDER OZ Marine Grade BBQ.

Made from Marine Grade 316 stainless steel materials, it features a small shelf for utensils. It also includes both straight and angled mounting poles and an angled rod holder.

WANDER OZ CAMPING RANGE

	<p>316 Gas BBQ with Window, & Thermometer</p> <p>Perfect for the caravan or boat, this BBQ is made of marine grade stainless steel and has a cast iron hot plate/grill for all applications. A fully enclosed BBQ with large window and Stainless Steel lid. A large 12,000BTU/HR Burner heats the plate with consistent heat distribution to cook food evenly.</p>
	<p>Bayonet Gas Hose 10mm 3/8 SAE FF x Male Bayonet</p> <p>This connection hose is ideal for connecting your BBQ to a caravan outlet.</p>
	<p>4 Seasons Sleeping Bag</p> <p>Super cosy and warm. This sleeping bag is extremely versatile and practical. Use it in single, double or twin configuration. Rated to -15°C so you know you'll be warm enough.</p>
	<p>Weatherproof Travel Duffle Bag</p> <p>Mount it to your car roof, or stash it in your boot. This duffle bag is made to keep your stuff dry and easily transportable. Made from strong canvas with water-resistant zips, it makes your travel plans that much easier.</p>

Find your nearest stockist of our growing range: www.wanderoz.com.au

Warranty Information

Our goods come with guarantees that cannot be excluded under the Australian Consumer Law. You are entitled to a replacement or refund for a major failure and compensation for any other reasonably foreseeable loss or damage. You are also entitled to have the goods repaired or replaced if the goods fail to be of acceptable quality and the failure does not amount to a major failure.

This WANDER OZ Barbecue is covered by our 12 month warranty. Menace Marine will cover the cost to fix, replace or compensate the purchaser in the event the unit is found with a defect that is sufficient to prevent normal use of the appliance. This 12 month warranty is in addition to your rights under Australian Consumer Law.

Contact us on 1300 636 223 or menacemarine.com.au for warranty claims.

Proof of purchase is required for warranty claims to be processed.

Record your purchase date and invoice number below.

Date of Purchase: ___ / ___ / 20 __

Invoice Number:





INSTRUCTIONS & WARRANTY

FOR MODEL# MENCA060 MARINE BBQ GRILL

Wander Oz
1300 636 223
www.wanderoz.com.au
P.O Box 270, Tullamarine VIC 3043

WANDER OZ is a trademark of Echee Trading Co Pty Ltd, All rights reserved